

# Model 6630-C Pore Pressure Transducer & Readout

## DESCRIPTION

The Pore Pressure Transducer & Readout measures the pressures inside a sample during Consolidated Undrained (CU) and Consolidated Drained (CD) triaxial testing and is used to determine the B Parameter while saturating both triaxial and flexible wall permeability samples.

Specifications	
<b>Power</b>	115V/50-60Hz or 220V/50-60Hz
<b>Maximum pressure</b>	150psi
<b>Accuracy</b>	± 0.5% of full scale
<b>Transducer operating temperature</b>	-40°C – 125°C
<b>Repeatability</b>	±0.02%

## OPERATION

1. Connect the quick disconnect socket to one of the empty valves on the base of the Flexible Wall or Triaxial test chamber. Do not overtighten.
2. Connect the digital readout cabinet to the power source. Allow a 30-minute warm-up period for the sensor to adjust to the operating temperature.
3. Connect the pressure transducer to the socket.

## STORAGE

Do not allow liquid to freeze in the pressure transducer. Direct the drain tube on the side of the transducer into a container. Depressurize and drain the transducer by loosening the deairing valve.



Figure 1: Pore Pressure Transducer & Readout

## OFFSET ADJUSTMENT

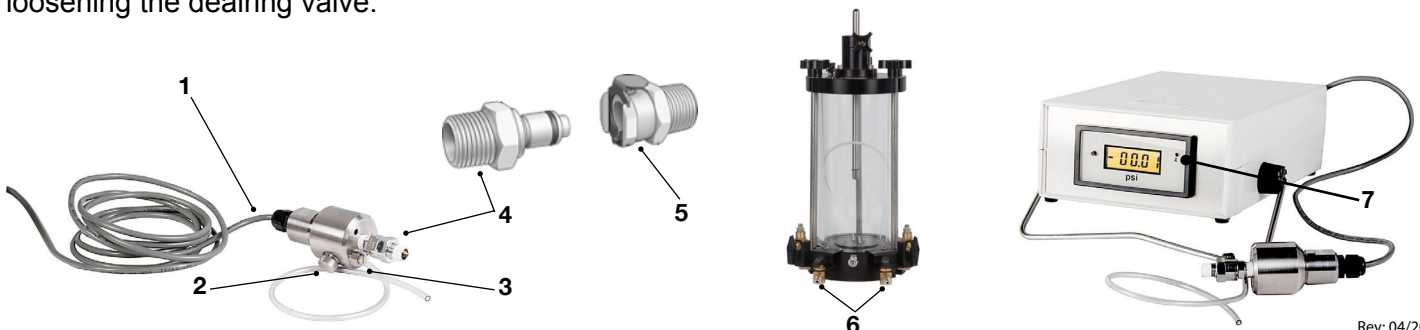
The digital display should read zero at atmospheric pressure with no pressure or vacuum applied. If offset adjustment is needed, depressurize the transducer by loosening the deairing valve. Turn the adjustment screw clockwise to increase or counterclockwise to decrease the zero offset value. Tighten the deairing valve.

## CALIBRATION

Each transducer is numbered and calibrated to a specific readout. If transducer calibration is required, contact Karol-Warner or a calibration service.

## COMPONENTS

1. Transducer cable
2. Deairing valve
3. Drain
4. Quick disconnect plug
5. Quick disconnect socket
6. Empty valve on test cell
7. Zero adjustment screw



Rev: 04/2020